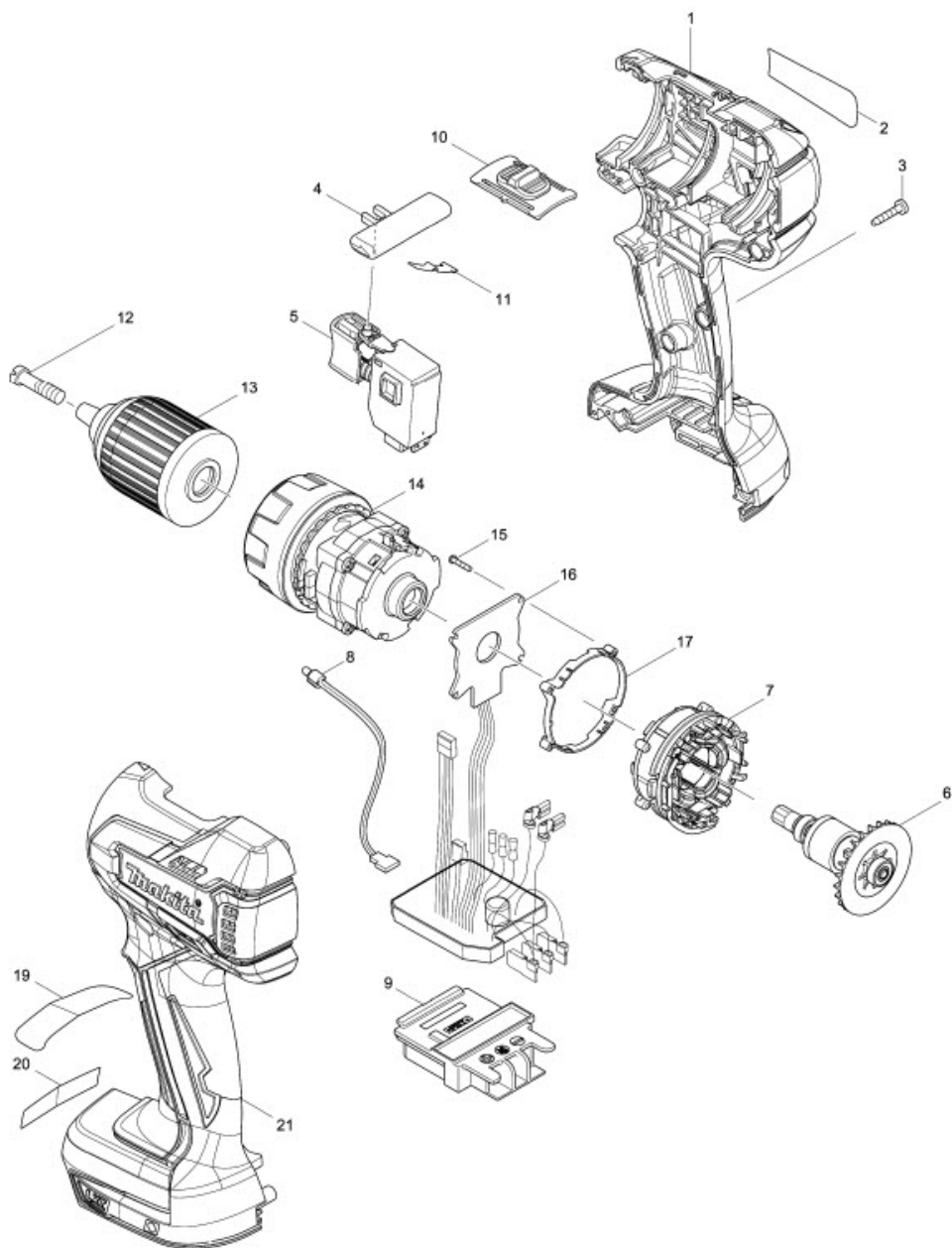


Part Diagram

Model No.DDF459 CORDLESS DRIVER DRILL



Item	Sub	Parts No.	Parts Description	Qty
001-1		187454-9	HOUSING SET	1
001-1	C10	263005-3	RUBBER PIN 6	2
001-1	D10		INC. 21	
2		815B93-4	DDF459 NAME PLATE	1
3		266429-2	TAPPING SCREW 3X16	9
4		419250-0	F/R CHANGE LEVER	1
5		650689-0	SWITCH C3JW-2B	1
6		619304-5	ROTOR	1
7		629960-3	STATOR	1
008A		620163-2	LED CIRCUIT	1
008-1A		620624-2	LED CIRCUIT	1
008-1		620624-2	LED CIRCUIT	1
9		643860-3	TERMINAL	1
10		126180-5	SPEED CHANGE LEVER ASSEMBLY	1
10	C10	233438-6	COMPRESSION SPRING 4	2
11		232182-2	LEAF SPRING	1
12		251468-5	- FLAT HEAD SCREW M6X22	1
13		763175-3	KEYLESS DRILL CHUCK 13	1
013-1		766027-7	KEYLESS DRILL CHUCK 13	1
14		126188-9	GEAR ASSEMBLY	1
15		266786-8	+ PAN HEAD TAPPING SCREW 2X10	4
16		620162-4	CONTROLLER	1
17		687464-1	SUPPORT	1
021-1		187454-9	HOUSING SET	1
021-1	C10	263005-3	RUBBER PIN 6	2
021-1	D10		INC. 1	
A01		251314-2	+ SCREW M4X12	1
A02		346317-0	HOOK	1
A03		784637-8	+/- BIT 2-45	1
A04		***DC18RC	DC18RC FAST CHARGER	1
A05-1A		196399-0	BATTERY BL1840 SET	2
A05-2A		197265-4	BATTERY BL1840B SET	2
A05-2B		197600-6	BATTERY BL1830B SET	2
A05-3A		197265-4	BATTERY BL1840B SET	2
A05-3B		197600-6	BATTERY BL1830B SET	2
A06		450128-8	BATTERY COVER	1
A07		158597-4	PLASTIC CASE COMPLETE	1
A07A	C10	324679-6	SHAFT	1
A07A	C20	417724-5	LATCH	2
A07A	C30	419216-0	HANDLE	1
A08A		802N67-6	DDF459RME PLASTIC CASE LABEL	2
A08B		802N48-0	DDF459RFE PLASTIC CASE LABEL	2